

PIPE FITTINGS - OLETS



INSTRUMENTATION

PIPE FITTINGS

PIPING SOLUTIONS

ADDITIONAL PRODUCTS

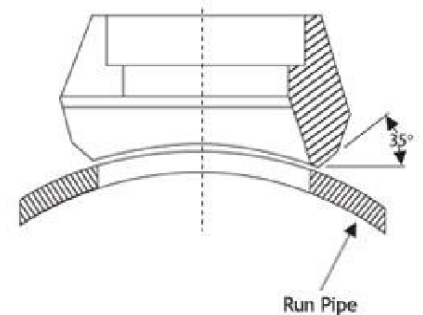
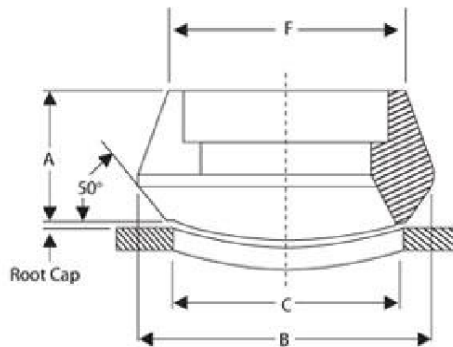
OLET FITTINGS

Our clients can avail from us a wide range of Olet Fittings that includes 15 NB to 100 NB in 3000 LBS, 6000 LBS & 9000 LBS available with NACE MR 01-75. These are fabricated using high grade stainless steel and are offered in different sizes and specifications as per the requirements of the clients.



SOCKOLET

We offer a wide range of Sockolet. These are available in different types.



Features:

- Dimensional accuracy
- Abrasion resistance
- Outstanding functionality
- Durability
- Corrosion resistance



Manufacturer of Butweld Pipe Fittings
Forged Fittings, Flanges & Fasteners
|| Since 1972 ||

TYPES OF SOCKOLETS

Sockolet (3000):

Our forged steel outlet fittings Sockolets (3000) is developed using different grade and material. The ideal run pipe sizes for sockolets 3000 is out let to 36". The inside bore, thread, socket bore and socket depth of sockolets 3000 is designed as per ANSI B16.11 but the pipe schedule numbers & weight designation is as per ANSI B36.10. We provide customization on our range as per the specification of clients.

Specifications:

Stainless Steel: ASTM A182 F304, 304L, 304H, 316, 316L, 317, 317L, 321, 310, 347, 904L.

Carbon Steel: ASTM A105, A105N, A694 F42, 46, 52, 56, 60, 65, 70, A350 LF3, A350 LF2.

Alloy Steel: ASTM A182 F1, F5, F9, F11, F22, F91.

Size: 1/8" NB to 4" NB. (Socket weld & Threaded)

Class : 3000, 6000, 9000.

Sockolet (6000):

We supply Sockolets (6000), which are designed in compliance with international quality standards. Available in varied sizes and types, these are appreciated for dimensional accuracy, durability and corrosion resistance.

Specifications:

Stainless Steel: ASTM A182 F304, 304L, 304H, 316, 316L, 317, 317L, 321, 310, 347, 904L.

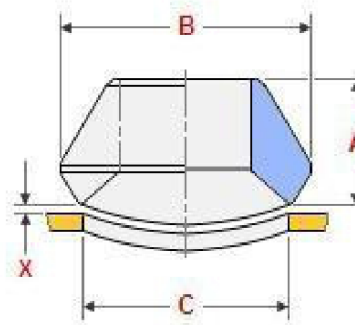
Carbon Steel: ASTM A105, A105N, A694 F42, 46, 52, 56, 60, 65, 70, A350 LF3, A350 LF2.

Alloy Steel: ASTM A182 F1, F5, F9, F11, F22, F91.

Class: 150, 3000, 6000, 9000.

WELDOLET

We offer wide range of Weldolets. The range of weldolet is 1/2" to 24" in 3000 LBS, 6000 LBS, 9000 LBS available with NACE MR 01-75.



Types of Weldolets

Stainless Steel Weldolet :

Standard: ASTM / ASME A/SA 182.

Grade: F 304, 304L, 304H, 309S, 309H, 310S, 310H, 316, 316TI, 316H, 316L, 316LN, 317, 317L, 321, 321H, 347, 347H, 904L.

Duplex Steel Weldolet :

Standard: ASTM / ASME A/SA 182.

Grade: F 44, F 45, F51, F 53, F 55, F 60, F 61.

Carbon Steel Weldolet :

Standard: ASTM A105/A694/ A350 LF3/A350 LF2.

Grade: F42/46/52/56/60/65/70.

Alloy Steel Weldolet :

Standard: ASTM A182.

Grade: F1/F5/F9/F11/F22/F91.

Copper Alloy Weldolet :

Standard: ASTM / ASME SB 61 / 62 / 151 / 152.

Grade: UNS NO. C 70600 (CU -NI- 90/10), C 71500 (CU -NI- 70/30) C.

BRANZOLET & COUPOLET

We are a trusted manufacturer of a wide range of Branzolet & Coupolet that is manufactured using high grade material. These are in conformation with the industry standards and are offered in various specifications to our clients. Our range finds applications in various industries and is known for its durability, corrosion resistance & long service life.



Features :

- Durable
- High tensile strength
- Corrosion resistant
- Hassle free installation and performance
- Require low maintenance

Range : 15 NB upto 100 NB 3000 LBS & 6000, 6 NB upto 600 NB (Weldolet / Sweepolet) SCH 5S, 10S, 10, 20, 40S, 40, STD, 60, 80S, 80, XS, 100, 120, 140, 160 & XXS.

Nickel Alloy :

ASTM / ASME SB 564 UNS 2200 (NICKEL 200), UNS 4400 (MONEL 400), UNS 8825 INCONEL (825), UNS 6600 (INCONEL 600).

ASTM / ASME SB 564 UNS 2200 (NICKEL 200), UNS 4400 (MONEL 400), UNS 8825 INCONEL (825), UNS 6600 (INCONEL 600).

ASTM / ASME SB 160 UNS 2201 (NICKEL 201).

ASTM / ASME SB 472 UNS 8020 (ALLOY 20 / 20 CB3).

Website: www.mpjainco.com exports@mpjainco.com 91-22-23465538 / 22-23460403



ASTM / ASME SB 61 UNS NO. C 92200 & ASTM / ASME SB 62 UNS NO. C 83600.

ASTM / ASME SB 151 UNS NO. 70600, 71500, C 70600 (CU -NI-90/10), C 71500 (CU -NI- 70/30), ASTM / ASME SB 152 UNS NO C 10100, C 10200, C 10300, C 10800, C 12000, C 12200.

ASTM / ASME SA 182 F 304, 304L, 304H, 309H, 310H, 316, 316H, 316L, 316LN, 317, 317L, 321, 321H, 347, 347 H.

ASTM / ASME SA 182 F 44, F 45, F51, F 53, F 55, F 60, F 61.

ASTM / ASME A 105.

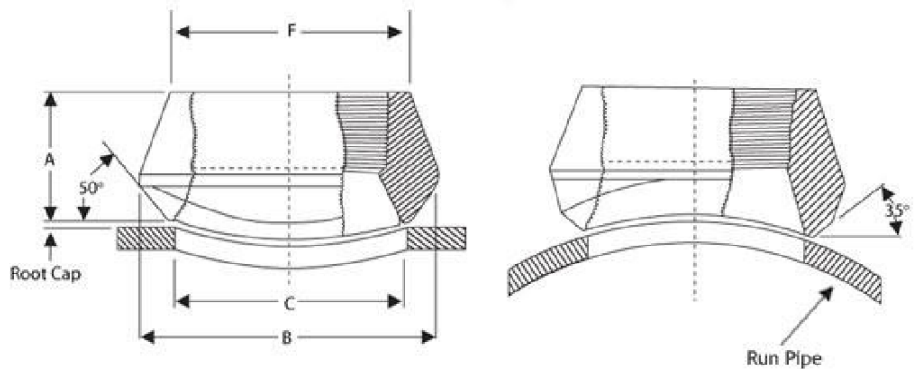
ASTM / ASME A 350 LF 2.

ASTM / ASME A 182 GR F 5, F 9, F 11, F 12, F 22, F 91.

THREADOLET

We are a trusted manufacturer of a wide range of Threadolet that is manufactured using high grade material. These are in conformation with the industry standards and are offered in various specifications to our clients. Our range finds applications in various industries and is known for its durability, corrosion resistance & long service life.

Avail best quality Threadolets (3000), which have pressure grade of 3000LBSCH40, SCH80, STD, XS, 6000LBSCH160, XXS etc. The material used are carbon steel of A182 A105 and stainless steel of A182 F304, A182 F304L, A182 F316, A182 F316L, A182 F321 etc. The sizes of Threadolets (3000 #) we offer are from 1/8" to 20", thus meeting diverse needs. We also cater to custom configuration needs of clients.



Threadolets (6000)

We supply and export Threadolets (6000 #) in carbon steel of A182 A105 and in stainless steel of A182 F304, A182 F304L, A182 F316, A182 F316L, A182 F321 etc. These are available in sizes ranging from 1/8" ~ 20". The wide variety offered fulfills the different industrial demand and offers superb performance for long span of time. Durable in quality, our threadolets are preferred by many global buyers for quality & cost efficiency.

Range : 15 NB upto 100 NB 3000 LBS & 6000, 6 NB upto 600 NB (Weldolet / Sweepolet) SCH 5S, 10S, 10, 20, 40S, 40, STD, 60, 80S, 80, XS, 100, 120, 140, 160 & XXS.

Nickel alloy :

ASTM / ASME SB 564 UNS 2200 (Nickel 200), UNS 4400 (Monel 400), UNS 8825 Inconel (825),
UNS 6600 (Inconel 600).

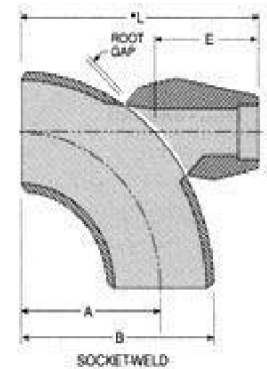
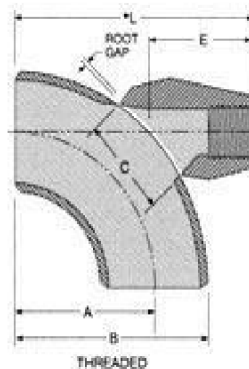
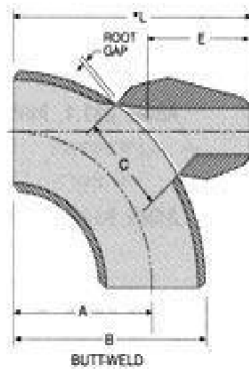
ASTM / ASME SB 564 UNS 2200 (Nickel 200), UNS 4400 (Monel 400), UNS 8825 Inconel (825),
UNS 6600 (Inconel 600),

ASTM / ASME SB 160 UNS 2201 (Nickel 201)

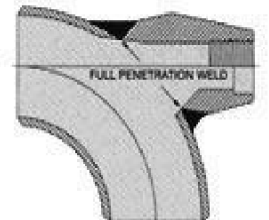
ASTM / ASME SB 472 UNS 8020 (Alloy 20 / 20 CB 3)

ELBOLET

We are a trusted manufacturer of a wide range of Elbolet that is manufactured using high grade material. These are in conformation with the industry standards and are offered in various specifications to our clients. Our range finds applications in various industries and is known for its durability, corrosion resistance & long service life.



ELBOLET



MATERIALS : NICKEL ALLOY ELBOLET

STANDARD

ASTM / ASME SB 564 / 160 / 472	UNS 10276 (HASTELLOY C 276 Elbolet)
UNS 2200 (NICKEL 200 Elbolet)	UNS 2201 (NICKEL 201 Elbolet)
UNS 4400 (MONEL 400 Elbolet)	UNS 8020 (ALLOY 20 Elbolet)
UNS 8825 INCONEL 825 Elbolet	UNS 6600 (INCONEL 600 Elbolet)
UNS 6601 (INCONEL 601 Elbolet)	UNS 6625 (INCONEL 625 Elbolet)



Manufacturer of Butweld Pipe Fittings
Forged Fittings, Flanges & Fasteners
|| Since 1972 ||

COPPER ALLOY ELBOLET

ASTM / ASME SB 61 / 62 / 151 / 152.

C 70600 (CU -NI- 90/10) - Cupro Nickel Elbolet

C 71500 (CU -NI- 70/30) - Copper Nickel Elbolet

UNS NO. C 92200, UNS NO. C 83600, UNS NO. UNS NO C 10100,

C 10200, C 10300, C 10800, C 12000, C 12200

ASTM / ASME A/SA 182 UNS F 44, F 45, F51, F 53, F 55, F 60, F 61.

STAINLESS STEEL ELBOLET - SS ELBOLET

ASTM A182 F304, 304H, 309, 310, 316, 316L, 317L, 321, 347, 904L

ALLOY STEEL ELBOLET - AS ELBOLET

ASTM / ASME A/SA 182 F1/F5/F9/F11/F22/F91

CARBON STEEL ELBOLET - CS ELBOLET

ASTM A 105/A694/ Gr. F42/46/52/56/60/65/70

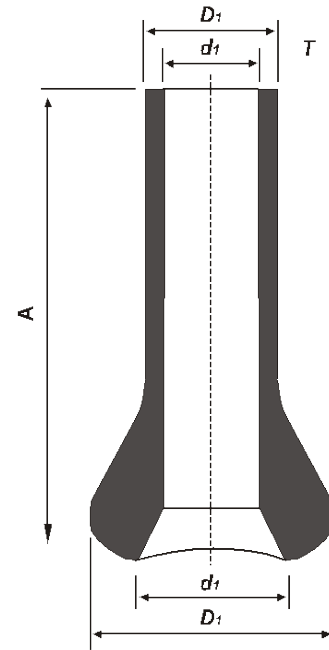
LOW TEMPERATURES CARBON STEEL ELBOLET - LTCS ELBOLET

A350 LF3/A350



NIPPOLET

Our Nippolet Olets are precisely designed to meet the requirements of different industry applications. Available in varied specifications, these nippolet olets find usage in chemical plants, power plants, and oil refineries. These forged high pressure fittings withstand high temperature and can be used as permanent or detachable thread connection.



Features :

- Sturdy construction
- Dimensional accuracy
- Corrosion resistance
- Long service life

Specification :

- Stainless Steel : ASTM A182 F304, 304L, 304H, 316, 316L, 317, 317L, 321, 310, 347, 904L.
- Carbon Steel : ASTM A105, A105N, A694 F42, 46, 52, 56, 60, 65, 70, A350 LF3, A350 LF2.
- Alloy Steel : ASTM A182 F1, F5, F9, F11, F22, F91
- Others : Monel, nickel, inconel, hastelloy, copper, brass, bronze, titanium, tantalum, bismuth, aluminum, high speed steel, zinc, lead.
- Class : 150, 3000, 6000, 9000.